

Job Construction Specifications

06/15/02

This documents outlines a series of screens that would be used by a researcher to enter the specifications for a **reconstruction** job (possibly followed by **recoanalysis**). For example, if there were **n** parent **raw** files on which to start, this is one of the possible job DAGs:

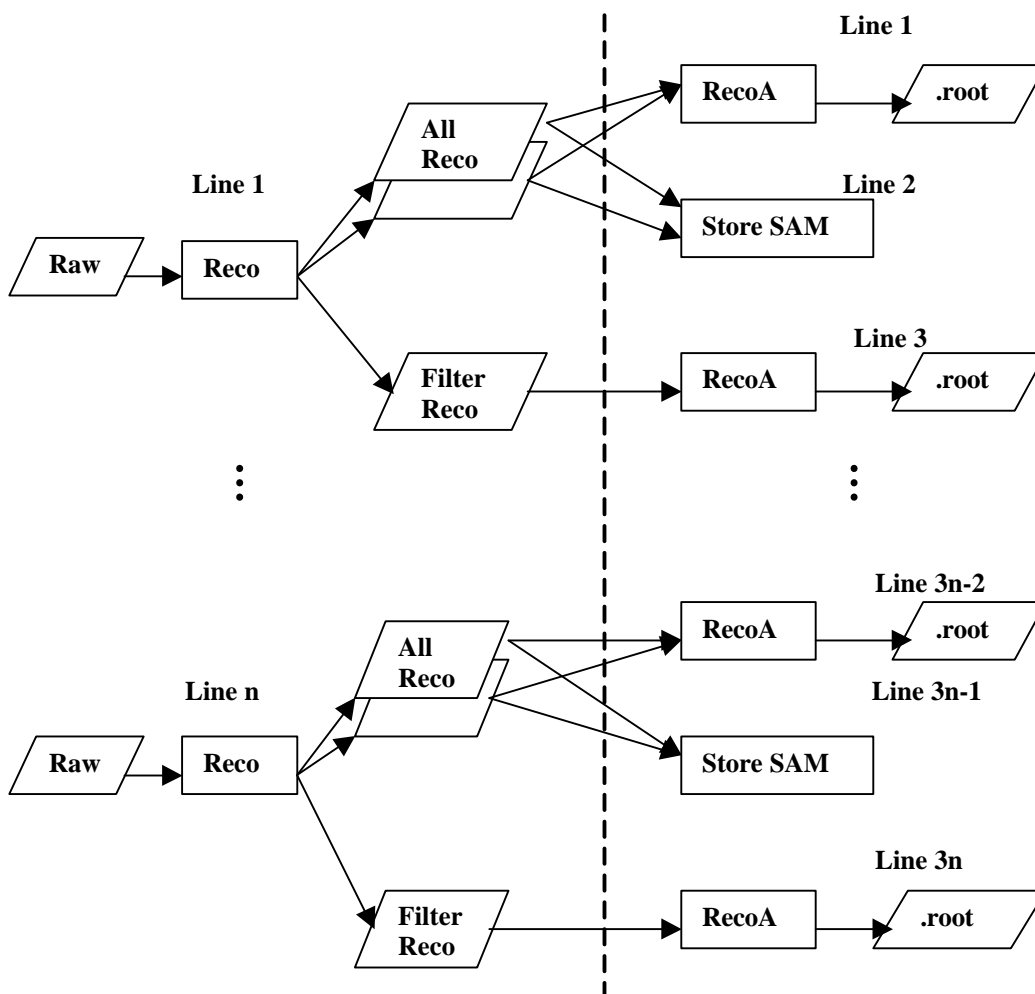


Figure 1 Reconstruction with Recoanalysis use case

The initial program to accept the description and parameters for this type of job will be web based, and its output will be in the form of an ASCII file that conforms to the Job Description Language (JDL). This version of this program is intended to be a proof-of-concept vehicle, and is expected to be revised as the JDL and the grid practices evolve.

**RECONSTRUCTION / RECOANALYSIS
JOB DESCRIPTION**

Screen 1

Your email:

Recall Job ID:

New Job

Model from Job:

Brief Description:

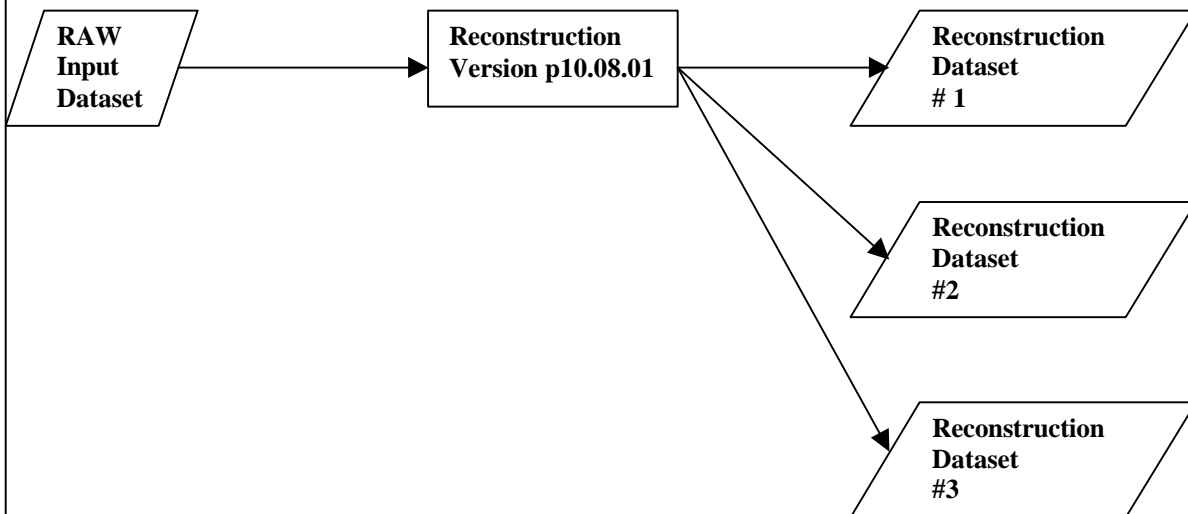
Reconstruction Version:

Est. Raw MB/Event

Number of Reconstructions:

Priority:

RECONSTRUCTION STAGE



RAW INPUT DATASET

Screen 2

- Import Text File

- Import Prior Job:

- SAM Query:

- Directory Contents:

- Edit

LIST OF FILES

MB	EST EVENTS	NAME	
			↑
			↓
		TOTAL	

**RECONSTRUCTION VERSION P10.08.01
DATASET # N SPECIFICATIONS**

Screen 3

PARAMETERS

Branch Description:

Est. Reconstructed MB/Event:

Import MDC File

Import Prior Job

Edit Parameters

KEYWORD	TYPE	VALUE

CLUSTER RESTRICTIONS

Edit Clusters

NAME

OUTPUT DATASET

MB	EST EVENTS	NAME
		TOTAL

OUTPUT DISPOSITIONS

Recoanalyze Version:

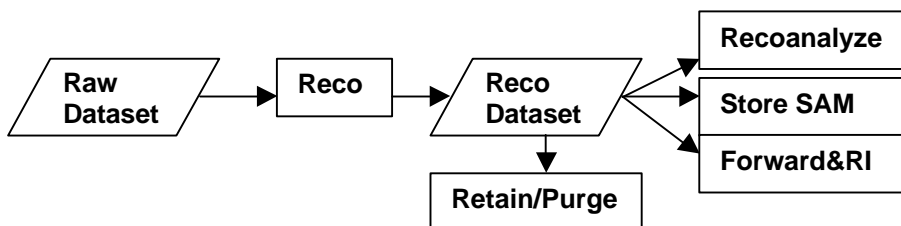
Store in SAM

Forward to Cache Retain until Explicit Purge
 Retain until Cache Full

Retain until Explicit Purge

Retain until Cache Full

Purge after Use



**RECOANALYZE P11.02.01
SEGMENT N SPECIFICATIONS
XXXXXXXXXXXXXXXXXXXXXXX**

Screen 4

PARAMETERS

Est. Recoanalyzed MB/Event

Import MDC File

Import Prior Job

Edit Parameters

KEYWORD	TYPE	VALUE

CLUSTER RESTRICTIONS

Edit

NAME

OUTPUT DATASET

MB	EST EVENTS	NAME
		TOTAL

OUTPUT DISPOSITIONS

Store in SAM

Forward to Cache

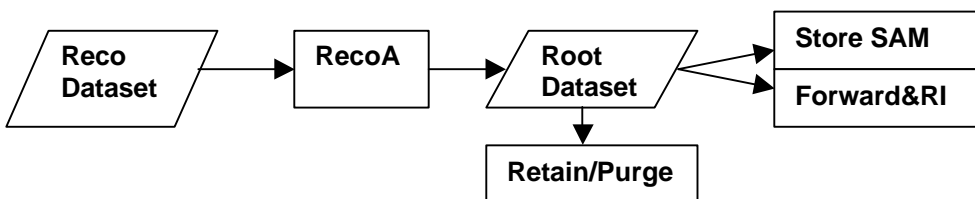
Retain until Explicit Purge

Retain until Cache Full

Purge after Use

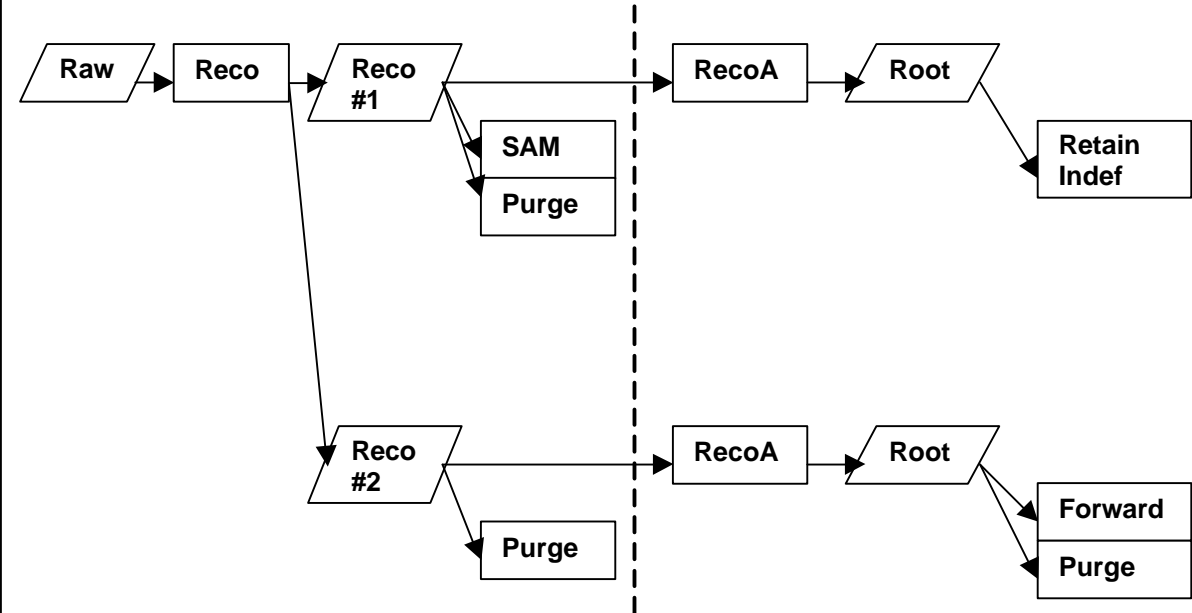
Retain until Explicit Purge

Retain until Cache Full



JOB DISPOSITION

Screen 5



Submit

Hold